



*Dragon 250*  
RY-250DR



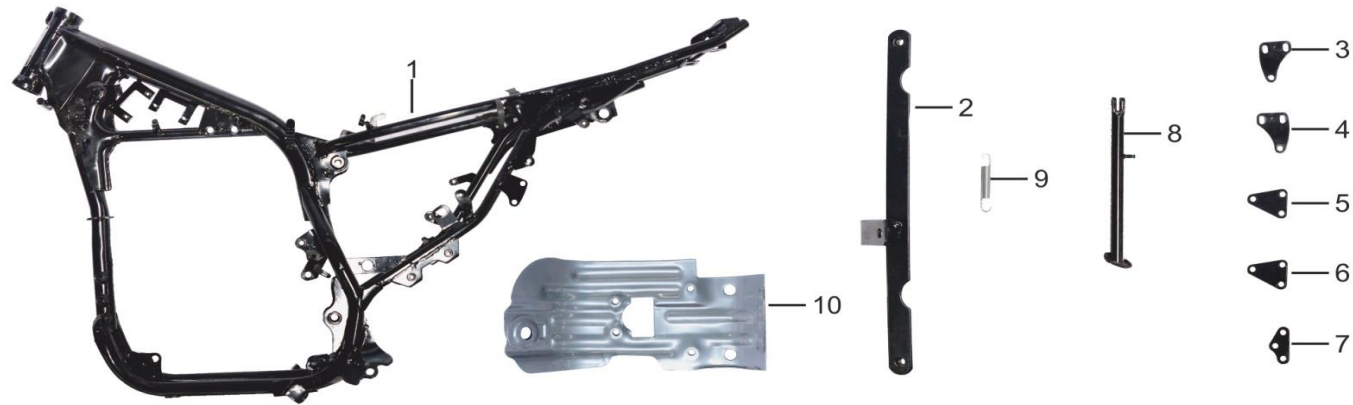
**SPARES**

**BODY PARTS**

## INDEX

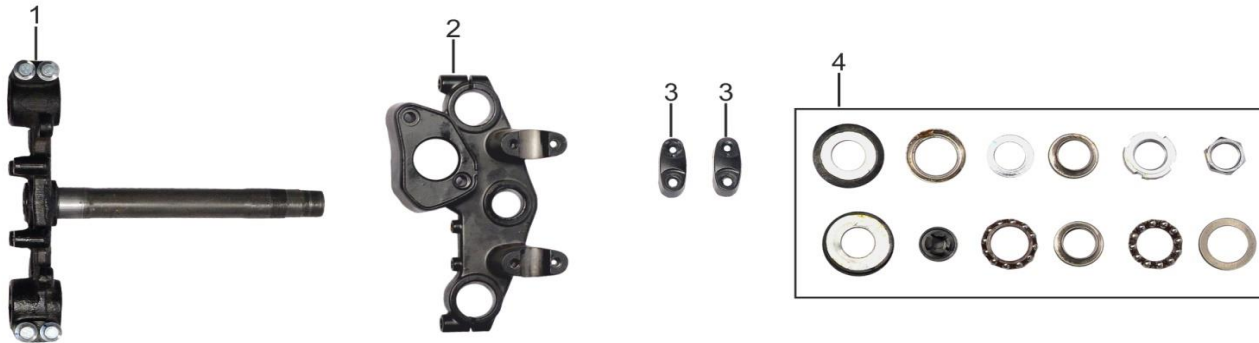
ASSY NO.	DESCRIPTION	PAGE NO.
A1	FRAME ASSY	1
A2	STEERING STEM ASSY	2
A3	HANDLE BAR ASSY	3-4
A4	FRONT LIGHTS	5
A5	REAR LIGHTS	6
A6	SPEEDOMETER ASSY	7
A7	ELECTRICAL PARTS	8
A8	PAINTED PLASTIC PARTS	9-11
A9	OTHER PLASTIC PARTS	12
A10	SHOCK ABSORBERS	13
A11	SEAT/REAR HANDRAIL	14
A12	FUEL TANK ASSY	15
A13	AIR CLEANER/CARBURETOR ASSY	16
A14	FOOTREST ASSY	17
A15	REAR FORK ASSY	18
A16	MUFFLER ASSY	19
A17	PEDALS	20
A18	FRONT DISC BRAKE ASSY	21
A19	REAR DISC BRAKE ASSY	22
A20	WHEEL ASSY	23-24
A21	CONTROL CABLES	25
A22	LOCK SET	26
A23	BATTERY	27
A24	TOOLS	28
A25	FASTENERS	29-32

### A1 - FRAME ASSY



S.NO.	PART CODE	DESCRIPTION	QUANTITY
A1-1	R848A0007A	FRAME BODY	1
A1-2	R84P2467A	BRACKET, FUEL TANK COVERS	1
A1-3	Q50A2607A	UPPER ENGINE HANGER, L	1
A1-4	Q50A2707A	UPPER ENGINE HANGER, R	1
A1-5	R841A2417A	FRONT ENGINE HANGER, L	1
A1-6	R841A2427A	FRONT ENGINE HANGER, R	1
A1-7	PC2A5537A	ENGINE HANGER REAR	1
A1-8	R514A110	SIDE STAND	1
A1-9	P17K020	SPRING, SIDE STAND	1
A1-10	R84P047	ENGINE MUD GUARD	1

**A2 - STEERING STEM ASSY**



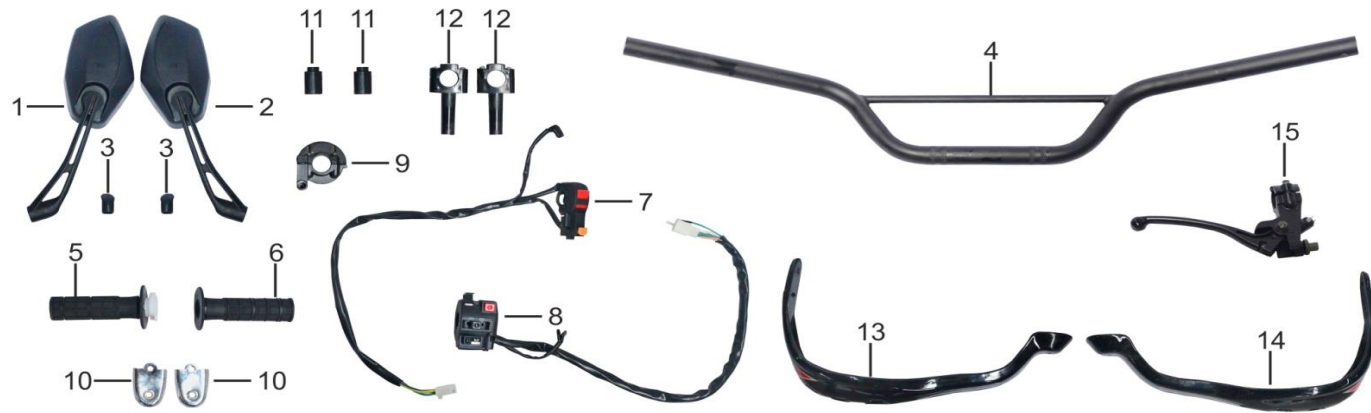
S.NO.	PART CODE	DESCRIPTION	QUANTITY
A2-1	R841B050037G	STEERING COLUMN	1
A2-2	R841B0607G	UPPER CONNECTING PLATE	1
A2-3	PC2J001	PRESS PAD, HANDLE BAR	2
A2-4	PC2H000	STEERING BEARING ASSY	1

### A3 - HANDLE BAR ASSY



S.NO.	PART CODE	DESCRIPTION	QUANTITY
A3-1	PB92C035	REAR VIEW MIRROR, R	1
A3-2	PB94C040	REAR VIEW MIRROR, L	1
A3-3	PB9C0403	RUBBER PLUG, MIRROR, R/L	2
A3-4	PC28A0507G	HANDLE BAR	1
A3-5	PC2G002	HANDLE GRIP, R	1
A3-6	PC2G001	HANDLE GRIP, L	1
A3-7	PC2E080	CONTROL SWITCH, R	1
A3-8	R88E070	CONTROL SWITCH, L	1
A3-9	PC2E082	THROTTLE CABLE HOLDER	1
A3-10	P871P664BCR	PLATE, HAND PROTECTOR	2
A3-11	R84J626	BUSH, HAND PROTECTOR	2
A3-12	P87P664	HAND PROTECTOR HOLDER	2
A3-13	P87G021Y48YCA09R	HAND PROTECTOR R, RED	1
A3-13	P87G0218AYCA06R	HAND PROTECTOR R, WHITE	1
A3-13	P87G0217AYCA06R	HAND PROTECTOR R, BLACK	1

### A3 - HANDLE BAR ASSY



S.NO.	PART CODE	DESCRIPTION	QUANTITY
A3-14	P87G021Y48YCA09L	HAND PROTECTOR L, RED	1
A3-14	P87G0218AYCA06L	HAND PROTECTOR L, WHITE	1
A3-14	P87G0217AYCA06L	HAND PROTECTOR L, BLACK	1
A3-15	PC2E100	CLUTCH LEVER	1

**A4 - FRONT LIGHTS**



1



2



3



4



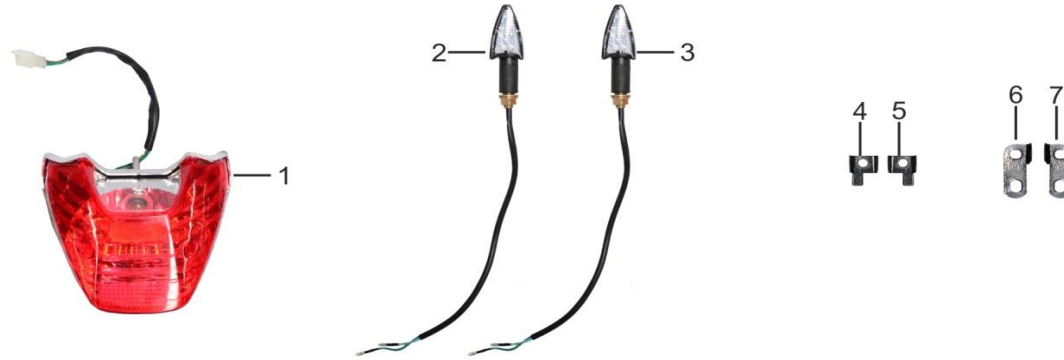
5



6

S.NO.	PART CODE	DESCRIPTION	QUANTITY
A4-1	R843E140	HEADLIGHT ASSY	1
A4-2	L00E3500011	BULB, HEADLIGHT	1
A4-3	R75E180	FRONT TURN LIGHT,R	1
A4-4	R75E170	FRONT TURN LIGHT,L	1
A4-5	R84P0077A	BRACKET, FRONT TURN LIGHT, R	1
A4-6	R84P0067A	BRACKET, FRONT TURN LIGHT, L	1

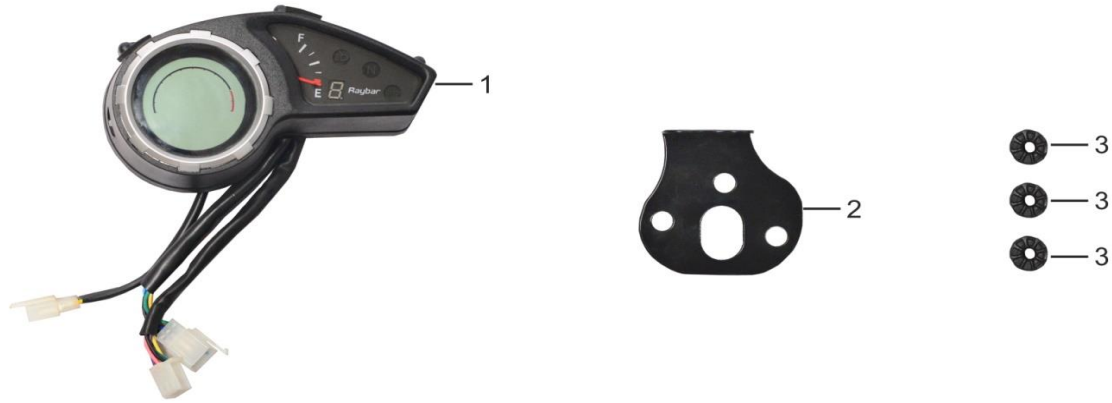
**A5 - REAR LIGHTS**



S.NO.	PART CODE	DESCRIPTION	QUANTITY
A5-1	R84E210	TAILLIGHT ASSY	1
A5-2	R75E170	REAR TURN LIGHT,L	1
A5-3	R75E180	REAR TURN LIGHT,R	1
A5-4	R84P9827A	TURN LIGHT BRACKET,R	1
A5-5	R84P9837A	TURN LIGHT BRACKET,L	1
A5-6	R841P0797A	BRACKET, REAR TURN LIGHT, L	1
A5-7	R841P0807A	BRACKET, REAR TURN LIGHT, R	1

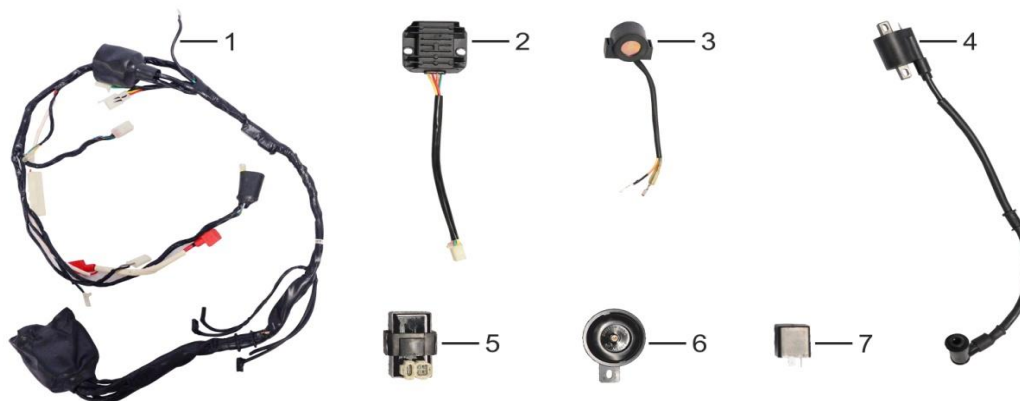


**A6 - SPEEDOMETER ASSY**



S.NO.	PART CODE	DESCRIPTION	QUANTITY
A6-1	R842E120J31	SPEEDOMETER ASSY	1
A6-2	R842P1497A	BRACKET, SPEEDOMETER	1
A6-3	M13G073	RUBBER BUSH, SPEEDOMETER	3

### A7 - ELECTRICAL PARTS



S.NO.	PART CODE	DESCRIPTION	QUANTITY
A7-1	R843E000	WIRE HARNESS	1
A7-2	N00E020	RECTIFIER	1
A7-3	N00E030	START RELAY	1
A7-4	PC2E010	IGNITION COIL	1
A7-5	N24E050	CDI	1
A7-6	N561E330	HORN	1
A7-7	L00EE040	FLASHER	1

## A8 - PAINTED PLASTIC PARTS



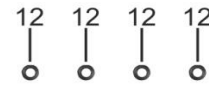
S.NO.	PART CODE	DESCRIPTION	QUANTITY
A8-1	R84C055MRQ-1	HEADLIGHT COVER, WHITE	1
A8-1	R84C055NRE	HEADLIGHT COVER, RED	1
A8-1	R84C055VA7-1	HEADLIGHT COVER, BLACK	1
A8-2	R841C0858A	TAIL COVER, WHITE	1
A8-2	R841C085Y48	TAIL COVER, RED	1
A8-2	R841C0857A	TAIL COVER, BLACK	1
A8-3	R84C465Y48YCA12	FRONT SHOCK ABSORBER COVER,R, RED	1
A8-3	R84C4658AYCA06	FRONT SHOCK ABSORBER COVER,R, WHITE	1
A8-3	R84C4657AYCA06	FRONT SHOCK ABSORBER COVER,R, BLACK	1
A8-4	R84C680Y48YCA12-1	FUEL TANK COVER,R, RED	1
A8-4	R84C6808AYCA07-1	FUEL TANK COVER,R, WHITE	1
A8-4	R84C6807AYCA07-1	FUEL TANK COVER,R, BLACK	1
A8-5	R84C0727W	SIDE COVER,R	1

### A8 - PAINTED PLASTIC PARTS



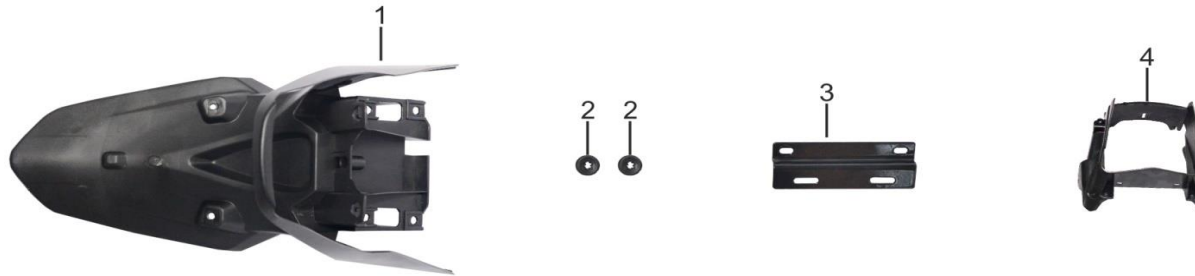
S.NO.	PART CODE	DESCRIPTION	QUANTITY
A8-6	R84C073Y48YCA12-1	REAR COVER,R, RED	1
A8-6	R84C0738AYCA07-1	REAR COVER,R, WHITE	1
A8-6	R84C0737AYCA07-1	REAR COVER R, BLACK	1
A8-7	R84C460Y48YCA12	FRONT SHOCK ABSORBER COVER,L, RED	1
A8-7	R84C4608AYCA06	FRONT SHOCK ABSORBER COVER,L WHITE	1
A8-7	R84C4607AYCA06	FRONT SHOCK ABSORBER COVER,L, BLACK	1
A8-8	R84C675Y48YCA12-1	FUEL TANK COVER,L, RED	1
A8-8	R84C6758AYCA07-1	FUEL TANK COVER,L, WHITE	1
A8-8	R84C6757AYCA07-1	FUEL TANK COVER,L, BLACK	1
A8-9	R84C0677W	SIDE COVER,L	1
A8-10	R84C068Y48YCA12-1	REAR COVER,L, RED	1
A8-10	R84C0688AYCA07-1	REAR COVER,L, WHITE	1
A8-10	R84C0687AYCA07-1	REAR COVER,L, BLACK	1
A8-11	R84C0108AYCA00	FRONT FENDER , WHITE	1
A8-11	R84C010Y48YCA01	FRONT FENDER, RED	1

**A8 - PAINTED PLASTIC PARTS**



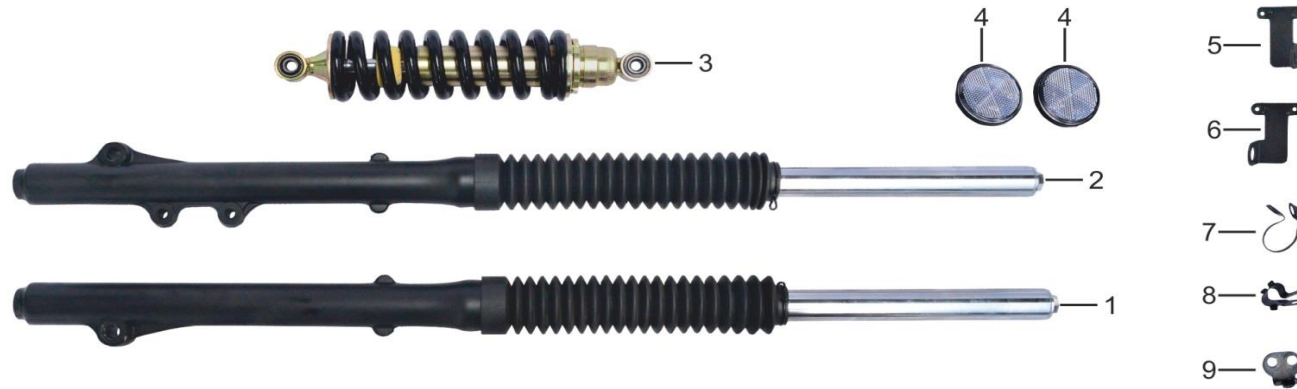
S.NO.	PART CODE	DESCRIPTION	QUANTITY
A8-11	R84C0107AYCA00	FRONT FENDER, BLACK	1
A8-12	960006000	COLLAR, FRONT FENDER	4

**A9 - OTHER PLASTIC PARTS**



S.NO.	PART CODE	DESCRIPTION	QUANTITY
A9-1	R84C015	REAR FENDER	1
A9-2	PC2G093	RUBBER BUSH, REAR FENDER	2
A9-3	PC21P075	BRACKET, LICENSE PLATE	1
A9-4	R84C078	HEADLIGHT INNER COVER	1

### A10 - SHOCK ABSORBERS



S.NO.	PART CODE	DESCRIPTION	QUANTITY
A10-1	PC24B020YH	FRONT SHOCK ABSORBER, R	1
A10-2	PC24B010YH	FRONT SHOCK ABSORBER, L	1
A10-3	PC25B070	REAR SHOCK ABSORBER	1
A10-4	P60C365	REFLECTOR	2
A10-5	R84P9957A	BRACKET, FRONT SHOCK ABSORBER COVER, L	1
A10-6	R84P9967A	BRACKET, FRONT SHOCK ABSORBER COVER, R	1
A10-7	R51P151	POSITION RING, DUST COVER	1
A10-8	PE1P0967A	CLIP, BRAKE OIL PIPE	1
A10-9	PEAP9317A	BRACKET, SPEEDOMETER CABLE	1

**A11 - SEAT/REAR HANDRAIL**



S.NO.	PART CODE	DESCRIPTION	QUANTITY
A11-1	R843C0051	SEAT	1
A11-2	R84A041	REAR HANDRAIL,L	1
A11-3	R84A042	REAR HANDRAIL,R	1
A11-4	R84P8227A	BRACKET, SEAT	1

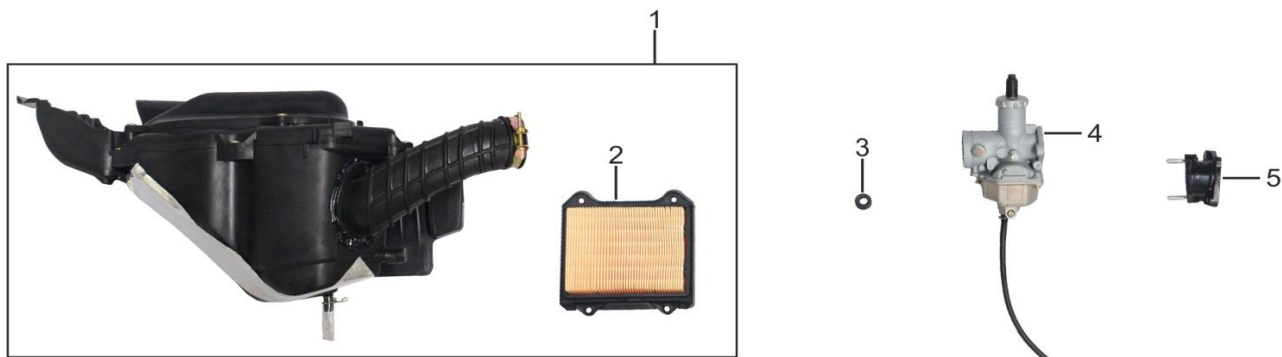


### A12 - FUEL TANK ASSY



S.NO.	PART CODE	DESCRIPTION	QUANTITY
A12-1	N20G147	FRONT RUBBER CUSHION, FUEL TANK	2
A12-2	R84C0007A	FUEL TANK	1
A12-3	P02G131	REAR RUBBER CUSHION, FUEL TANK	1
A12-4	NA8G022	FUEL PIPE	1
A12-5	N00C020	FUEL COCK	1
A12-6	R84E340	FUEL SENSOR	1

**A13 - AIR CLEANER/CARBURETOR ASSY**



S.NO.	PART CODE	DESCRIPTION	QUANTITY
A13-1	R511Q020	AIR CLEANER ASSY	1
A13-2	R51Q024	AIR FILTER	1
A13-3	PC2G093	RUBBER BUSH, AIR FILTER	1
A13-4	R841Q000	CARBURETOR	1
A13-5	L00JQ256	INTAKE PIPE	1

**A14 - FOOTREST ASSY**



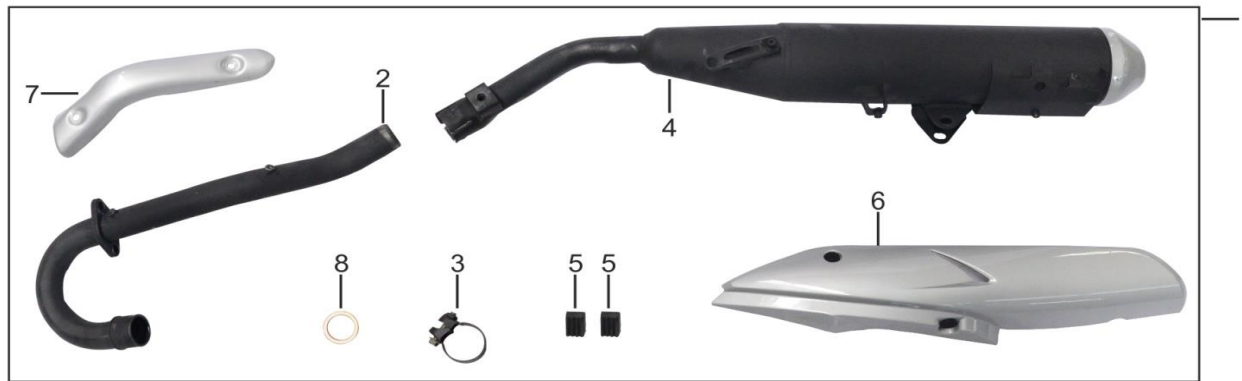
S.NO.	PART CODE	DESCRIPTION	QUANTITY
A14-1	R84A120	FRONT FOOTREST,L	1
A14-2	R84A130	FRONT FOOTREST,R	1
A14-3	PC22A160BCR	REAR FOOTREST,L	1
A14-4	PC25A170BCR	REAR FOOTREST,R	1

### A15 - REAR FORK ASSY



S.NO.	PART CODE	DESCRIPTION	QUANTITY
A15-1	PC21A0908L	REAR FORK	1
A15-2	PC2B059	DUST COVER, REAR FORK	2
A15-3	L00PZ084	AXLE, REAR FORK	1
A15-4	PC2G009	CHAIN GUIDE	1
A15-5	PC2C485	CHAIN PROTECTOR	1
A15-6	PC21C180	CHAIN CASE	1
A15-7	PC21D171BX	CHAIN ADJUSTER PLATE, L/R	2
A15-8	PC21D173	CHAIN ADJUSTER, L/R	2
A15-9	618714000XY	NUT, REAR FORK AXLE	1

### A16 - MUFFLER ASSY



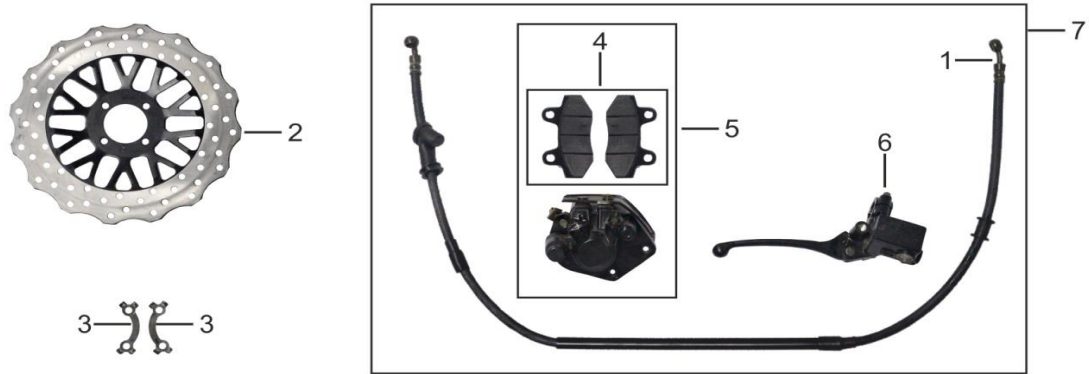
S.NO.	PART CODE	DESCRIPTION	QUANTITY
A16-1	R84Q0108M	MUFFLER ASSY	1
A16-2	R84Q016	MUFFLER, FRONT PART	1
A16-3	PC2Q01B	CLAMP, MUFFLER	1
A16-4	R841Q0178M	MUFFLER, REAR PART	1
A16-5	PC21G074	RUBBER CUSHION, MUFFLER	2
A16-6	R841Q01A8M	MUFFLER COVER, REAR	1
A16-7	R84Q0518M	MUFFLER COVER, FRONT	1
A16-8	R51Q011	GASKET, MUFFLER INLET	1

**A17 - PEDALS**



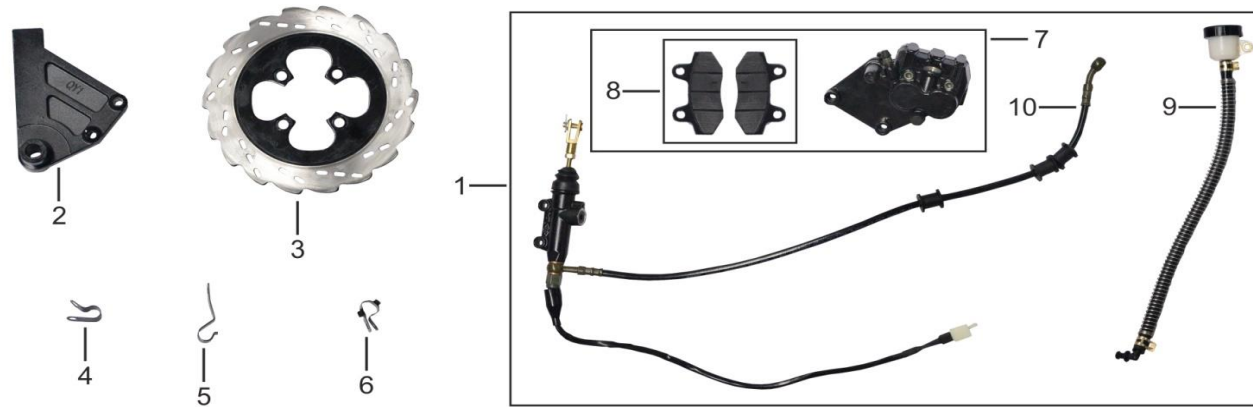
<b>S.NO.</b>	<b>PART CODE</b>	<b>DESCRIPTION</b>	<b>QUANTITY</b>
A17-1	PC21D1807A	REAR BRAKE PEDAL	1
A17-2	L00BX1847X	PEDAL GEAR CHANGE	1
A17-3	L00QD240PSH	KICK STARTER	1
A17-4	NDCK040LBX	SPRING, REAR BRAKE PEDAL	1

**A18 - FRONT DISC BRAKE ASSY**



S.NO.	PART CODE	DESCRIPTION	QUANTITY
A18-1	R84D1327A-P	BRAKE OIL PIPE, FRONT DISC BRAKE	1
A18-2	PC2D1317A	DISC PLATE, FRONT DISC BRAKE	1
A18-3	R84D13104LV	LOCK CLIP	2
A18-4	R84D134	BRAKE PAD, FRONT DISC BRAKE	1
A18-5	R84D1327A-L	CALIPER ASSY, FRONT DISC BRAKE	1
A18-6	R84D1327A-T	FRONT BRAKE LEVER, WITH UPPER PUMP	1
A18-7	R84D1327A	FRONT BRAKE ASSY	1

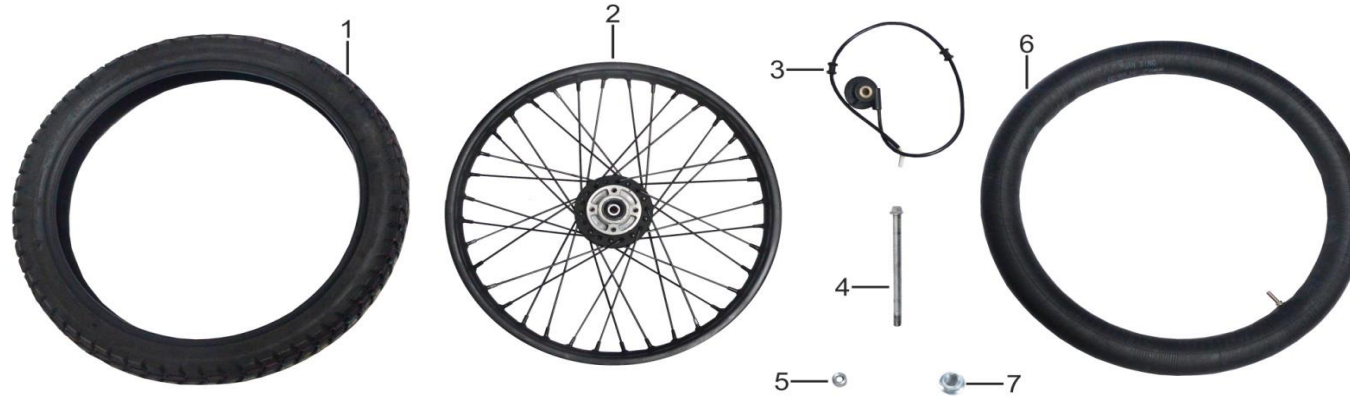
### A19 - REAR DISC BRAKE ASSY



S.NO.	PART CODE	DESCRIPTION	QUANTITY
A19-1	R841D14S7A	REAR BRAKE ASSY	1
A19-2	R511P783	REAR DISC BRAKE CALIPER HOLDER	1
A19-3	R84D1417A	DISC PLATE, REAR DISC BRAKE	1
A19-4	R51D14006	LOWER CLIP	1
A19-5	R51D14005	UPPER CLIP	1
A19-6	R51D14006	BRACKET, REAR DISC BRAKE OIL PIPE	1
A19-7	R841D14S7A-L	CALIPER ASSY, REAR DISC BRAKE	1
A19-8	R842D149	BRAKE PAD, REAR DISC BRAKE	1
A19-9	R841D14S7A-BP	RESERVOIR, REAR DISC BRAKE OIL	1
A19-10	R841D14S7A-MP	MASTER CYLINDER, REAR DISC BRAKE	1



**A20 - WHEEL ASSY**



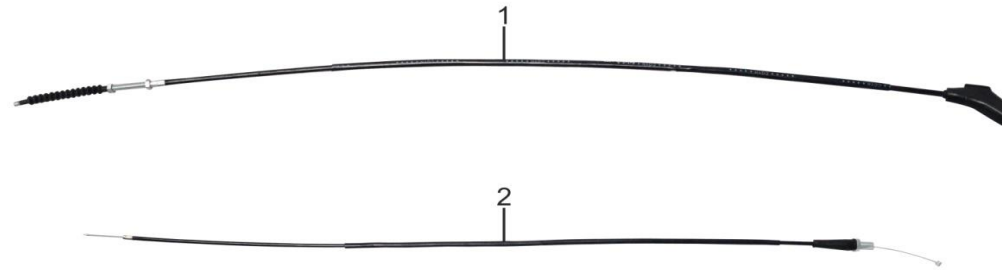
S.NO.	PART CODE	DESCRIPTION	QUANTITY
A20-1	PC2D050	FRONT TYRE	1
A20-2	PC2D0007G2	FRONT RIM	1
A20-3	R84E945	GEAR, SPEEDOMETER	1
A20-4	L00LZ079	AXLE, FRONT WHEEL	1
A20-5	PC2J020	COLLAR, FRONT WHEEL	1
A20-6	PC2D040	FRONT TUBE	1
A20-7	618712000XY	NUT, FRONT WHEEL AXLE	1

### A20 - WHEEL ASSY



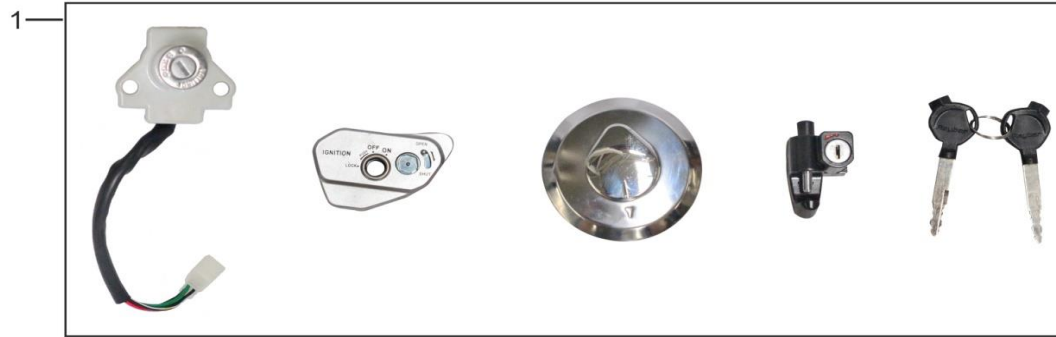
S.NO.	PART CODE	DESCRIPTION	QUANTITY
A20-8	PC2AD0107G	REAR RIM	1
A20-9	894158000	LOCK CLIP	1
A20-10	J39D152LV	REAR SPROCKET	1
A20-11	L00LZ127	AXLE, REAR WHEEL	1
A20-12	PC22J040	COLLAR, REAR WHEEL	1
A20-13	PC2D060	REAR TUBE	1
A20-14	L00DL38	CHAIN	1
A20-15	PC2D070	REAR TYRE	1
A20-16	618714000XY	NUT, REAR WHEEL AXLE	1

**A21 - CONTROL CABLES**



<b>S.NO.</b>	<b>PART CODE</b>	<b>DESCRIPTION</b>	<b>QUANTITY</b>
A21-1	R51F010	CLUTCH CABLE	1
A21-2	PC2F020	THROTTLE CABLE	1

### A22 - LOCK SET



S.NO.	PART CODE	DESCRIPTION	QUANTITY
A22-1	R84K000J3	LOCK SET	1

### A23 - BATTERY



S.NO.	PART CODE	DESCRIPTION	QUANTITY
A23-1	L00ED110EL2	BATTERY	1
A23-2	R84P0437A	BRACKET, BATTERY	1
A23-3	NCCG036	BAND BATTERY	1

**A24 - TOOLS**



S.NO.	PART CODE	DESCRIPTION	QUANTITY
A24-1	PC1N000J3CX	TOOL KIT	1
A24-2	PC2C190	TOOL BOX	1

### A25 - FASTENERS

ASSY NO.	PART NO.	DESCRIPTION	QUANTITY
A1	578706016	HEXAGON FLANGE BOLT M6×16	5
A1	578706035	HEXAGON FLANGE BOLT M6×35	1
A1	578708016	HEXAGON FLANGE BOLT M8×16	2
A1	578708065	HEXAGON FLANGE BOLT M8×65	2
A1	578708070	HEXAGON FLANGE BOLT M8×70	1
A1	578708095	HEXAGON FLANGE BOLT M8×95	4
A1	578710115XY	HEXAGON FLANGE BOLT M10×1.25×115	2
A1	617708000	HEXAGON FLANGE NUT M8	7
A1	617710000XY	HEXAGON FLANGE NUT M10×1.25	2
A1	930008000	SPRING WASHER Ø8	7
A1	930010000	SPRING WASHER Ø10	2
A1	960006000	FLAT WASHER Ø6	6
A1	971008000	FLAT WASHER Ø8	7
A1	971010000	FLAT WASHER Ø10	2
A2	578706012	HEXAGON FLANGE BOLT M6×12	1
A3	578706060	HEXAGON FLANGE BOLT M6×60	2
A4	700008012	HEXAGON SOCKET HEAD CASCREWS M8×12	2
A5	617706000	HEXAGON FLANGE NUT M6	2
A5	960006000	FLAT WASHER Ø6	2
A6	578706016	HEXAGON FLANGE BOLT M6×16	2
A6	617706000	HEXAGON FLANGE NUT M6	3
A6	960006000	FLAT WASHER Ø6	3
A7	578706012	HEXAGON FLANGE BOLT M6×12	1
A7	578706016	HEXAGON FLANGE BOLT M6×16	4
A7	617705000	HEXAGON FLANGE NUT M5	1
A7	818005035	SLOTTED PAN HEAD SCREW M5×35	1
A8	FB01057BCR	INNER HEXAGON FLAT HEAD SCREW M6×20	2
A8	FB03163HX	BUSH Ø16×Ø9×10	4
A8	FB04228BCR	INNER HEXAGON FLAT HEAD SCREW M6×12	6
A8	578706030	HEXAGON FLANGE BOLT M6×30	4

### A25 - FASTENERS

ASSY NO.	PART NO.	DESCRIPTION	QUANTITY
A8	818005012	SLOTTED PAN HEAD SCREW M5×12	4
A8	845042012	CROSS RECESSED PAN HEAD TAPPING SCREWS ST4.2×12	2
A8	960006000	FLAT WASHER Ø6	10
A8	960008000BCR	WASHER Ø8	4
A8	971004000	FLAT WASHER Ø4	2
A9	FB01056	INNER HEXAGON FLAT HEAD SCREW M6×16	2
A9	FB08000	NUT-CLIP M6	4
A9	578706016	HEXAGON FLANGE BOLT M6×16	2
A9	578706020	HEXAGON FLANGE BOLT M6×20	4
A9	617706000	HEXAGON FLANGE NUT M6	2
A9	845048012	CROSS RECESSED PAN HEAD TAPPING SCREWS ST4.8×12	4
A9	960006000	FLAT WASHER Ø6	6
A9	971005000	FLAT WASHER Ø5	4
A10	578710075XY	HEXAGON FLANGE BOLT M10×1.25×75	2
A10	617110000XY	I TYPE HEXAGON NUT M10×1.25	2
A10	930010000	SPRING WASHER Ø10	4
A11	FB04007	FLANGE NUT M6×17	2
A11	528708000	WASHER Ø8	2
A11	578708020	HEXAGON FLANGE BOLT M8×20	4
A11	578708055	HEXAGON FLANGE BOLT M8×55	2
A11	617708000	HEXAGON FLANGE NUT M8	2
A11	960008000	WASHER Ø8	2
A12	FB06007	CLIP B9	2
A12	578708025	HEXAGON FLANGE BOLT M8×25	1
A12	617006000	I TYPE HEXAGON NUT M6	4
A12	930006000	SPRING WASHER Ø6	4
A12	960006000	FLAT WASHER Ø6	4
A14	578708030	HEXAGON FLANGE BOLT M8×30	4
A15	FB04005	FLANGE NUT M6×12-8	3
A15	FB04007	FLANGE NUT M6×17	2



### A25 - FASTENERS

ASSY NO.	PART NO.	DESCRIPTION	QUANTITY
A15	618714000XY	HEXAGON FLANGE LOCK NUT M14×1.5	1
A15	960008000	WASHER Ø8	1
A16	FB04248BCR	INNER HEXAGON FLAT HEAD SCREW M6×10	3
A16	578708025	HEXAGON FLANGE BOLT M8×25	1
A16	578708045	HEXAGON FLANGE BOLT M8×45	1
A16	617708000	HEXAGON FLANGE NUT M8	3
A16	930008000	SPRING WASHER Ø8	1
A16	960006000	FLAT WASHER Ø6	3
A16	971008000	FLAT WASHER Ø8	1
A17	FB02000	BIG WASHER Ø17×Ø23×1.5	1
A17	578306025	HEXAGON BOLT M6×25	1
A17	617006000	I TYPE HEXAGON NUT M6	1
A17	910030030	SPLIT PIN D=3.0, L=30	1
A18	578706012	HEXAGON FLANGE BOLT M6×12	1
A19	578706012	HEXAGON FLANGE BOLT M6×12	1
A19	578706016	HEXAGON FLANGE BOLT M6×16	2
A19	578706025	HEXAGON FLANGE BOLT M6×25	2
A19	617706000	HEXAGON FLANGE NUT M6	2
A20	FB04014	BOLT M10×1.25×37	4
A20	578706012	HEXAGON FLANGE BOLT M6×12	2
A20	617710000XY	HEXAGON FLANGE NUT M10×1.25	4
A20	618712000XY	HEXAGON FLANGE LOCK NUT M12×1.25	1
A20	618714000XY	HEXAGON FLANGE LOCK NUT M14×1.5	1
A20	894158000	RING-STOPPER OD=58, ID=53+0.46-1.10MM	1
A22	578706008	HEXAGON FLANGE BOLT M6×8	1
A22	578706030	HEXAGON FLANGE BOLT M6×30	2
A22	700008016	HEXAGON SOCKET HEAD CASCREWS M8×16	2
A22	930008000	SPRING WASHER Ø8	2
A23	578706016	HEXAGON FLANGE BOLT M6×16	1
A23	578706020	HEXAGON FLANGE BOLT M6×20	1


**A25 - FASTENERS**

<b>ASSY NO.</b>	<b>PART NO.</b>	<b>DESCRIPTION</b>	<b>QUANTITY</b>
A24	578706016	HEXAGON FLANGE BOLT M6×16	2



***Raybar***

[www.raybarmotorcycles.com](http://www.raybarmotorcycles.com)

 /raybarmoto